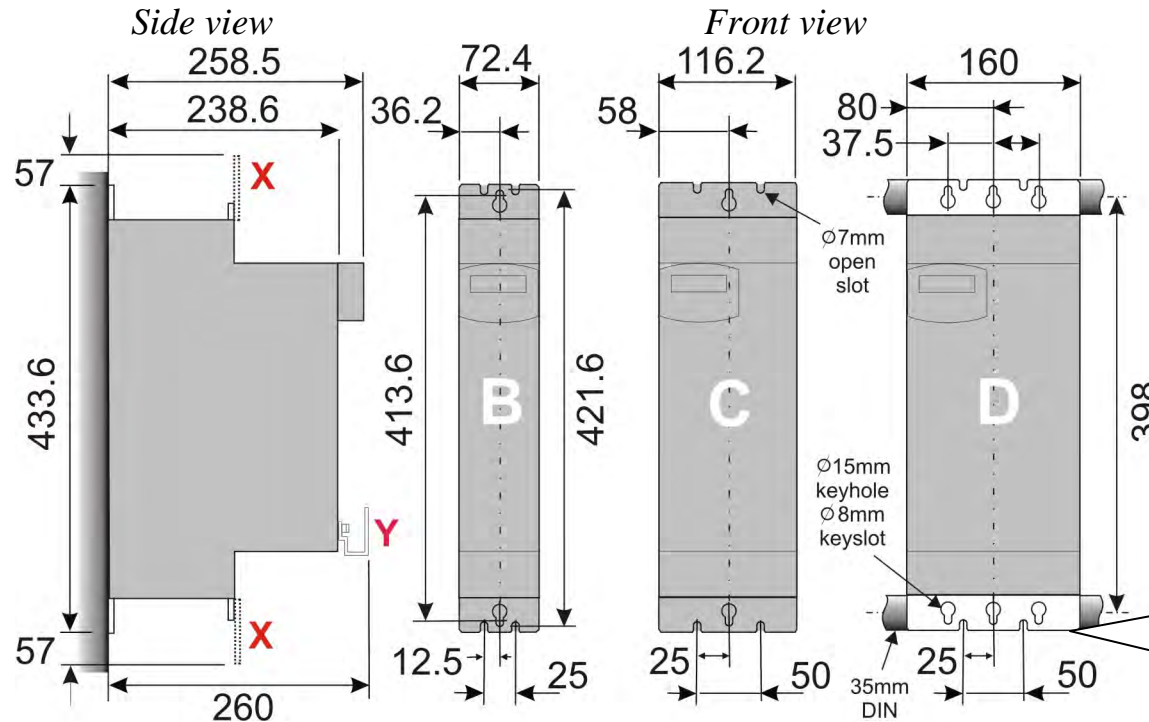


4-7 890CS & 890CD Common Bus Units

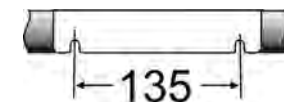
Mounting Dimensions

Mount the unit using the keyholes and slots, or fix to a DIN rail (35mm DIN).



The 890CS Common Bus Supply is normally mounted to the left of the 890CD Common Bus Drive(s). However, for 890CS Frame D, mount the 890CS between the 890CD units to share the load evenly if the total current draw on the DC busbar will exceed 140A. Connect to the left and right busbar terminals separately. The busbar is rated for operation at 140A. Do not exceed 140A.

890CS Frame D only



Dimensions are in millimetres. **X** : Power Bracket - 890 Installation Kit

890CS Weight Frame B 3.5kg/7.5lbs

Frame D 8.7kg/19.2lbs

890CD Weight Frame B 5kg/11.0lbs

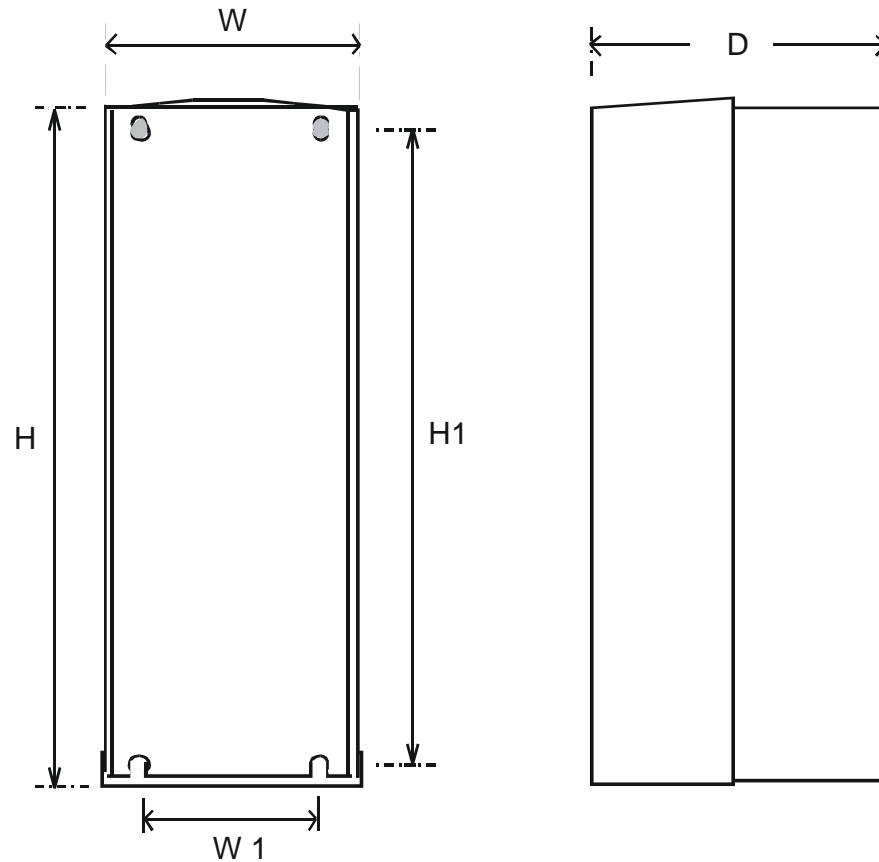
Frame C 6.6kg/14.5lbs

Frame D 12.1kg/26.7lbs

The 890 Installation Kit is supplied with your unit. The kit provides several options for earth/ground connections. It also includes the brackets for DIN rail mounting the unit. Refer to the instructions in the kit and use the appropriate parts.

Cables are considered to be electrically sensitive, clean or noisy. Plan your cable routes to segregate these cables for EMC compliance. Refer to Appendix C: "Certification".

Mounting Dimensions (890CD)

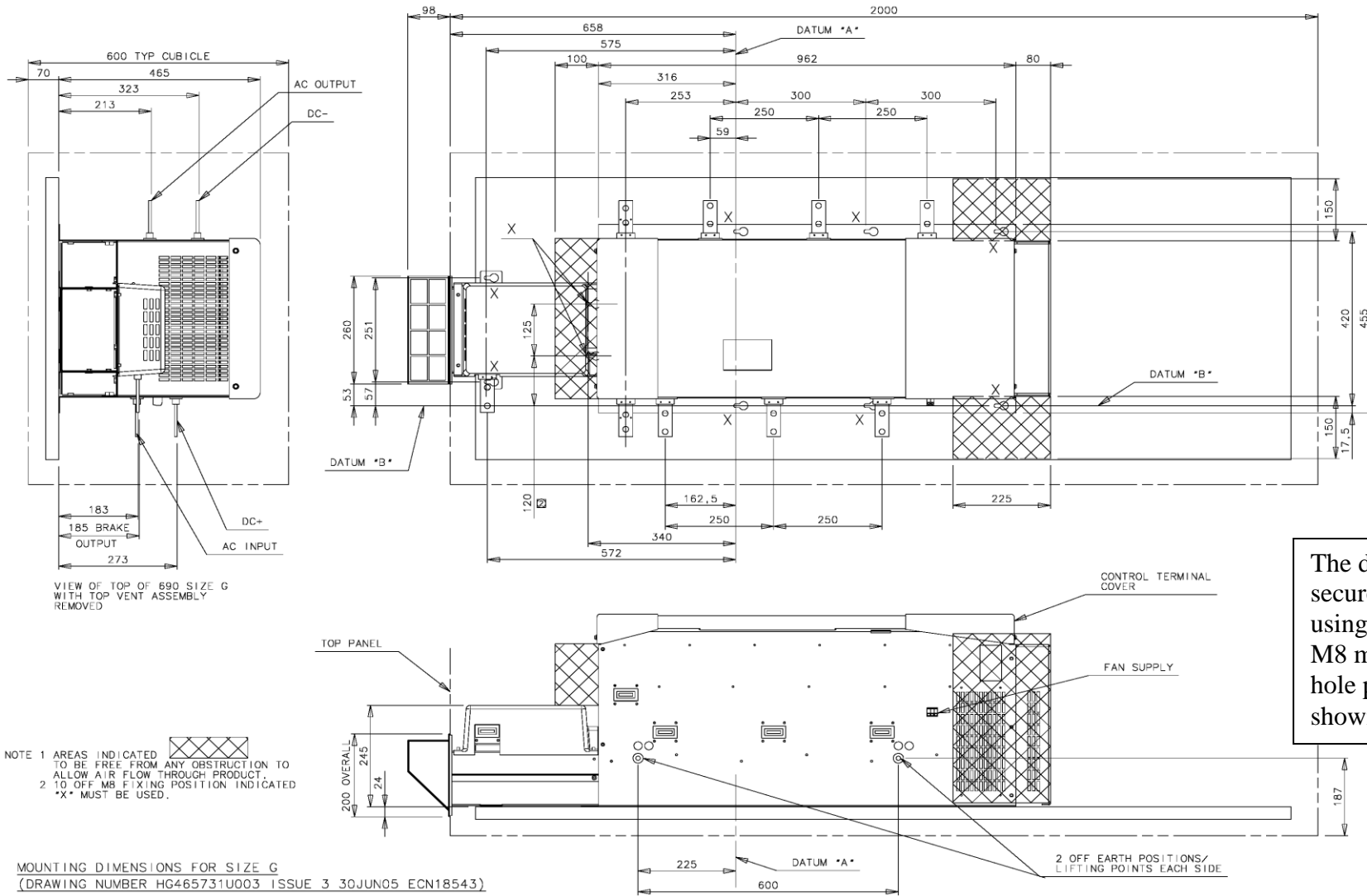


*Approximate Frame E shown
for illustration purposes*

Models	Max. Weight: kg/lbs	H	H1	W	W1	D	Fixings
Frame E	32.5/72	668.6 (26.3)	630.0 (24.8)	257.0 (10.1)	150.0 (5.9)	312 (12.3)	Use M6 fixings
Frame F	41/90.4	720.0 (28.3)	700.0 (27.6)	257.0 (10.1)	150.0 (5.9)	355.0 (14.0)	Use M6 fixings
All dimensions are in millimetres (inches)							

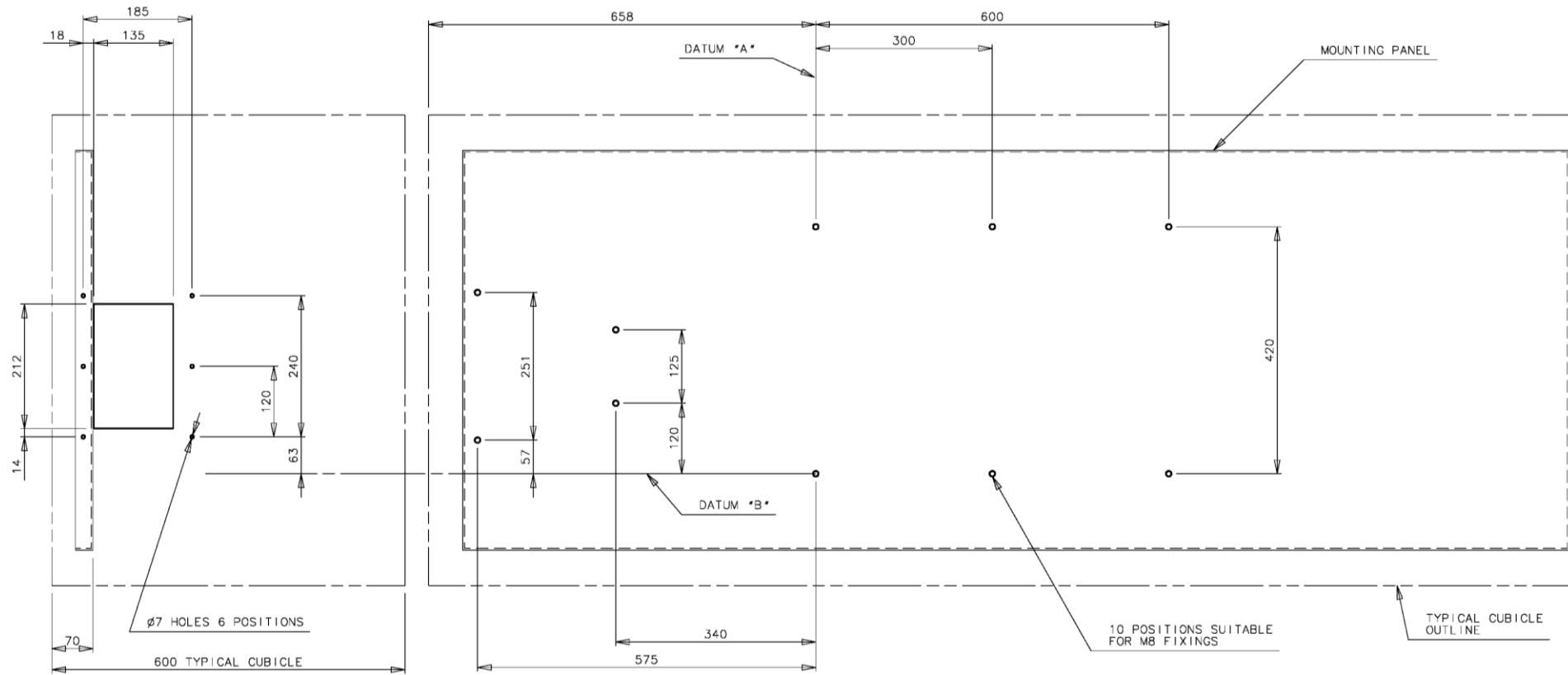
890SD Standalone Drive

Installation Drawings



The drive must be securely mounted using all 10 off M8 mounting hole positions as shown.

Frame G Typical Cubicle Installation Outline Drawing (HG465731U003 Sheet 1)



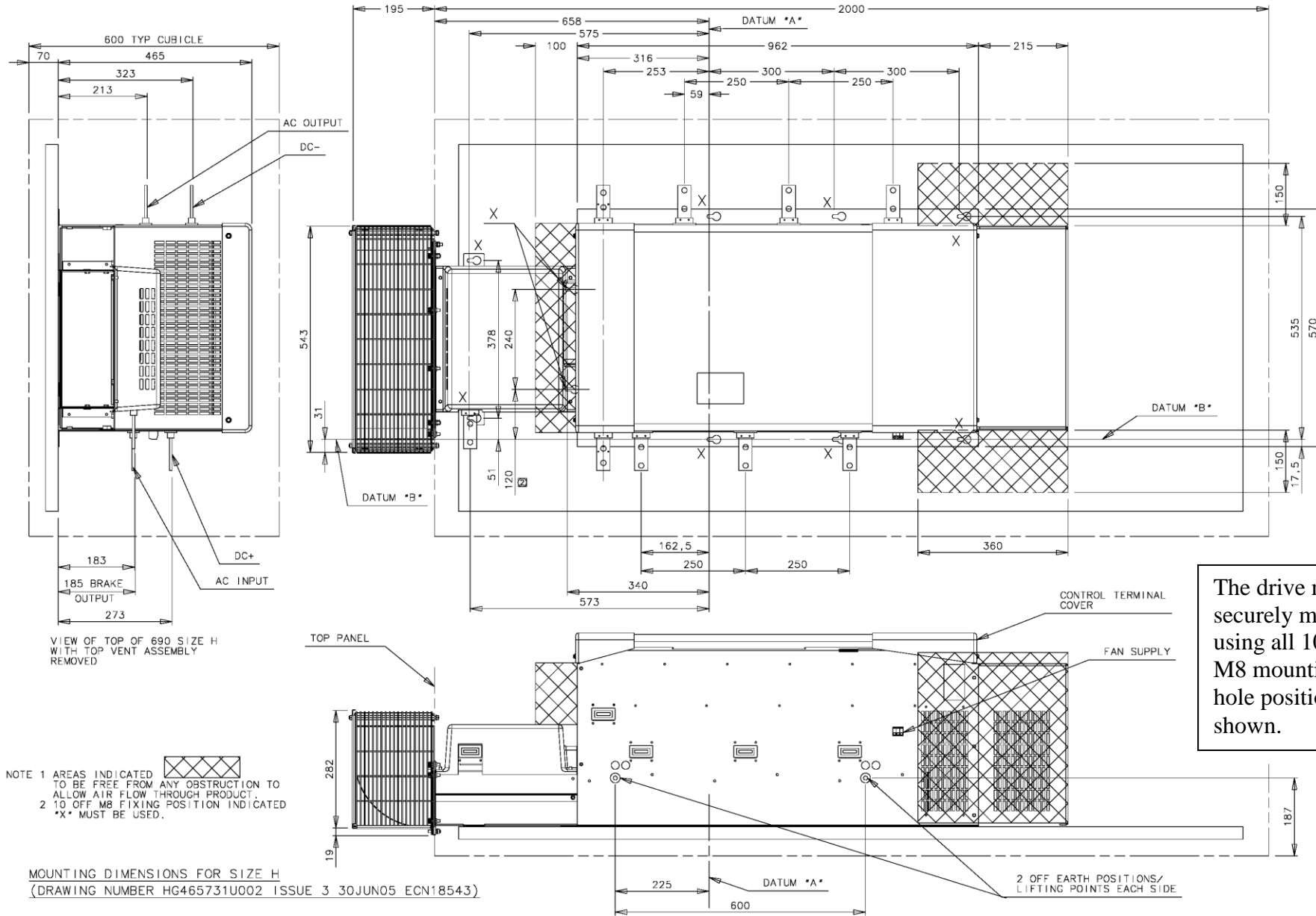
TYPICAL CUBICLE DETAIL SHOWING TOP PANEL AND MOUNTING PLATE HOLE POSITIONS FOR SIZE G

MOUNTING DIMENSIONS FOR SIZE G
(DRAWING NUMBER HG465731U003 ISSUE 3 30JUN05 ECN18543)

SHEET 2 OF 2

Frame G Typical Cubicle Installation Outline Drawing (HG465731U003 Sheet 2)

890SD Standalone Drive

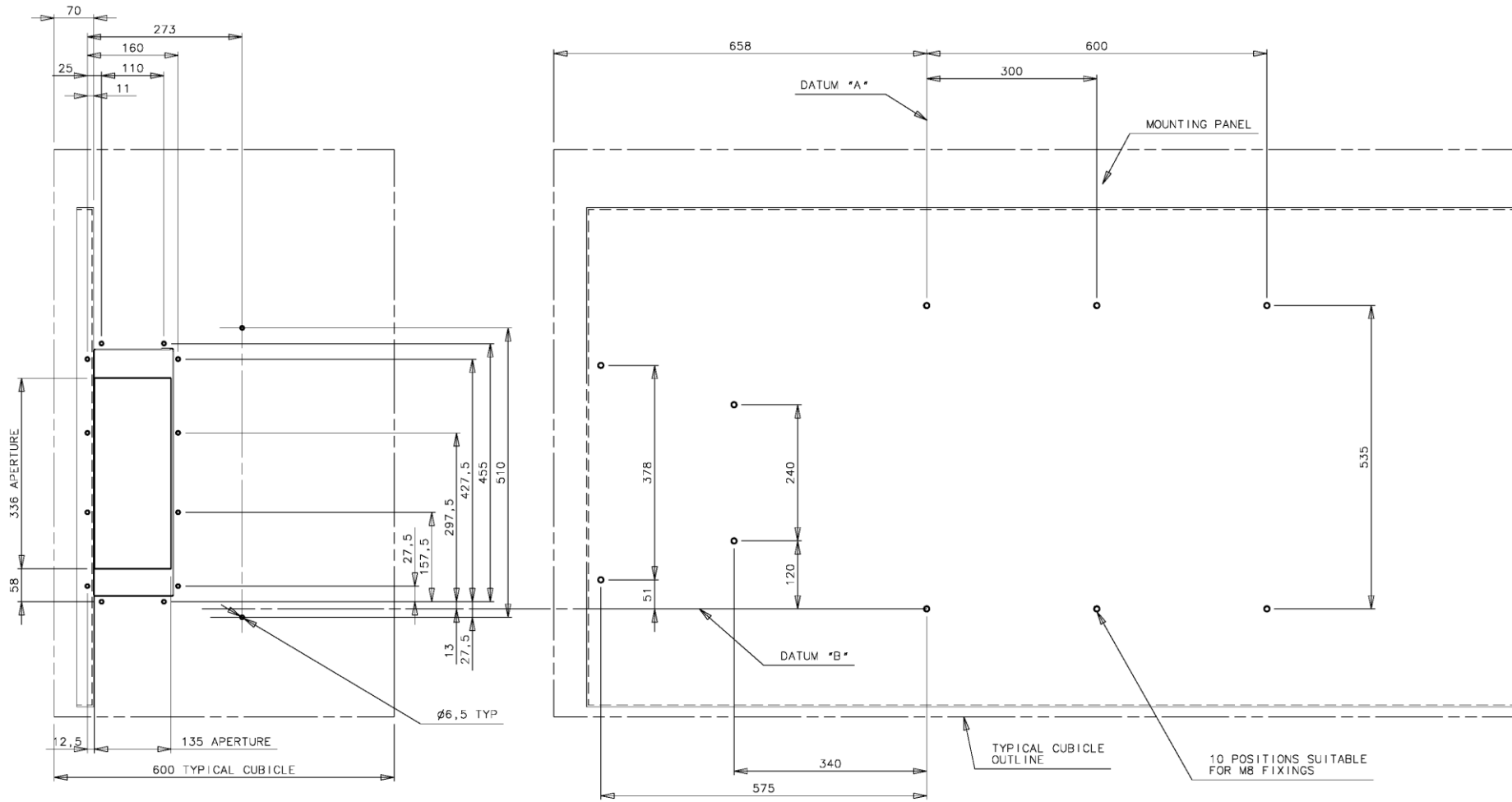


The drive must be securely mounted using all 10 off M8 mounting hole positions as shown.

SHEET 1 OF 2

Frame H Typical Cubicle Installation Outline Drawing (HG465731U002 Sheet 1)

890SD Standalone Drive



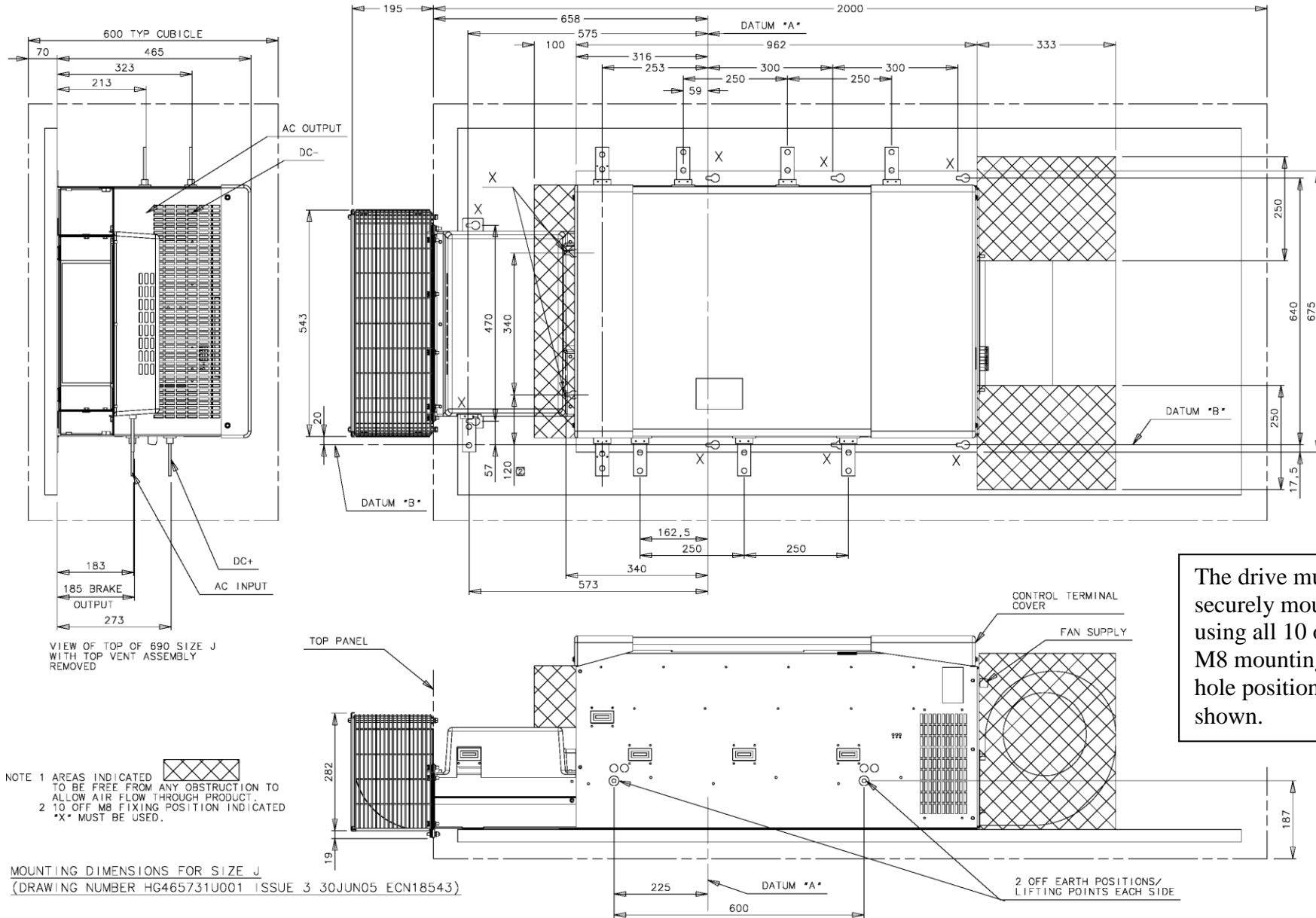
TYPICAL CUBICLE DETAIL SHOWING TOP PANEL AND MOUNTING PLATE HOLE POSITIONS FOR SIZE H

MOUNTING DIMENSIONS FOR SIZE H
(DRAWING NUMBER HG465731U002 ISSUE 3 30JUN05 ECN18543)

SHEET 2 OF 2

Frame H Typical Cubicle Installation Outline Drawing (HG465731U002 Sheet 2)

890SD Standalone Drive



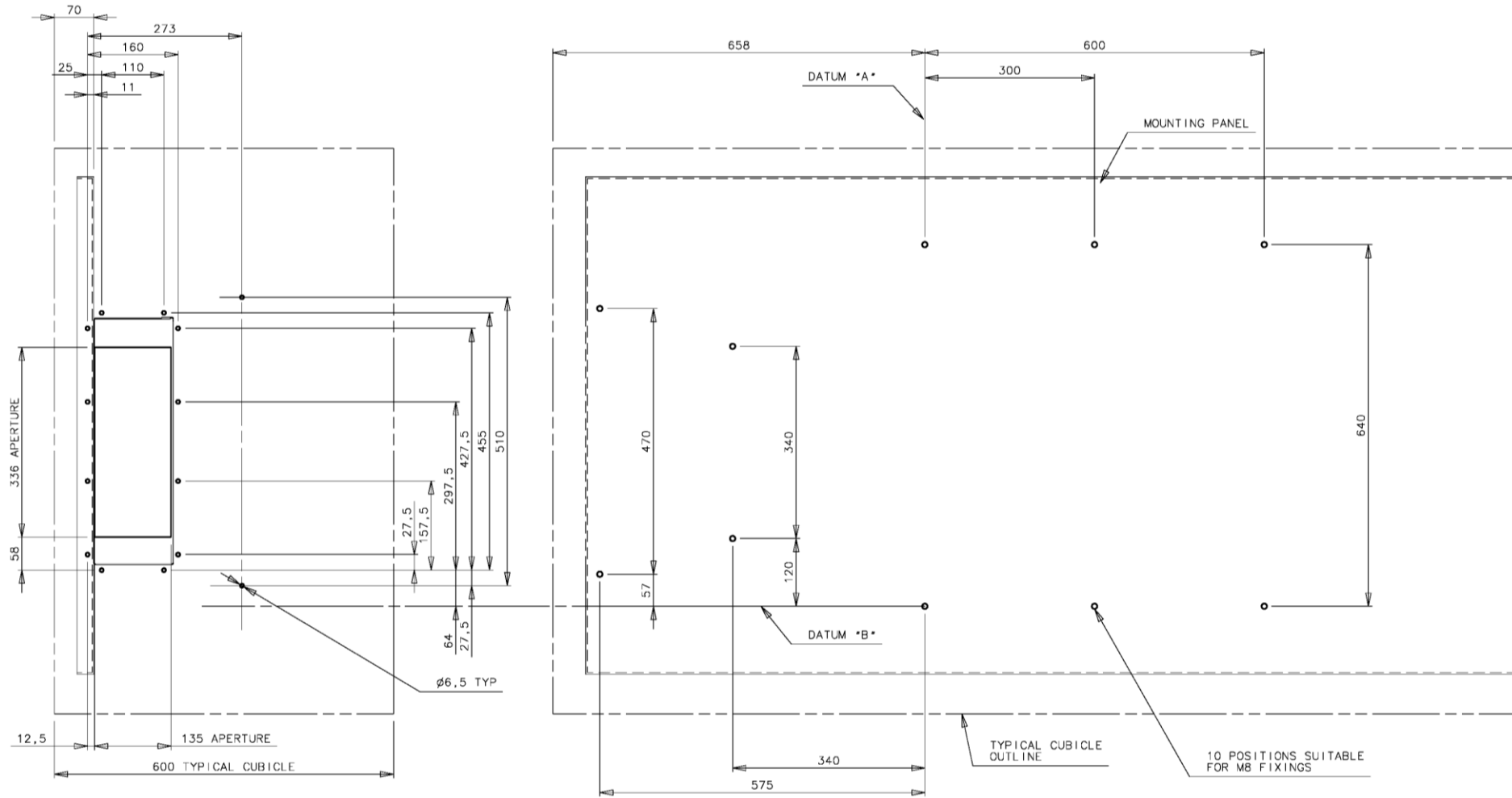
VIEW OF TOP OF 690 SIZE J WITH TOP VENT ASSEMBLY REMOVED

NOTE 1 AREAS INDICATED TO BE FREE FROM ANY OBSTRUCTION TO ALLOW AIR FLOW THROUGH PRODUCT.
 2 10 OFF M8 FIXING POSITION INDICATED *X* MUST BE USED.

MOUNTING DIMENSIONS FOR SIZE J
 (DRAWING NUMBER HG465731U001 ISSUE 3 30JUN05 ECN18543)

SHEET 1 OF 2

Frame H Typical Cubicle Installation Outline Drawing (HG465731U001 Sheet 1)



TYPICAL CUBICLE DETAIL SHOWING TOP PANEL AND MOUNTING PLATE HOLE POSITIONS FOR SIZE J

MOUNTING DIMENSIONS FOR SIZE J
(DRAWING NUMBER HG465731U001 ISSUE 3 30JUN05 ECN18543)

SHEET 2 OF 2

Frame H Typical Cubicle Installation Outline Drawing (HG465731U001 Sheet 2)